



ASSEMBLY INSTRUCTIONS Model:
TT4040

This Item can be found on
www.OutdoorFurniturePlus.com

Call 877-595-8543 to order.

STEP 1

UNFOLD THE LEFT AND RIGHT CHAIR ASSEMBLIES FIG. 1.
INSERT (8) 2 1/4" BOLTS, NUTS AND
WASHERS "C" TWO ON EACH SIDE. FIG. 2
SET THEM SIDE BY SIDE WITH THE ARM RESTS ON THE OUTSIDES.

STEP 2

ATTACH THE TABLE TO THE LEFT AND RIGHT CHAIR ASSEMBLIES USING
(2) 3" LAG BOLTS "B" AND (2) 3/4" BOLTS, NUT
AND WASHERS "C" AND (2) #8 X 2 FLAT HEAD SCREWS "D"
IN PRE-DRILLED HOLES.

- (1) Left chair
- (1) Right chair
- (1) Table top
- (1) Hardware pack

TOOLS NEEDED

Phillips head screwdriver
or 4mm hex key: Included
7/16 Socket wrench
Screw gun is required

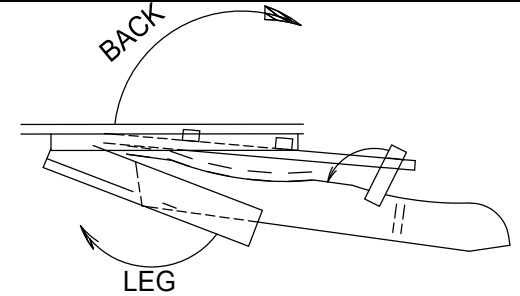
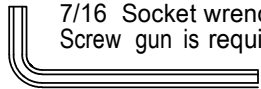


FIG. 1

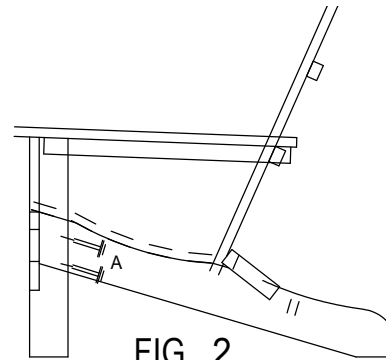


FIG. 2

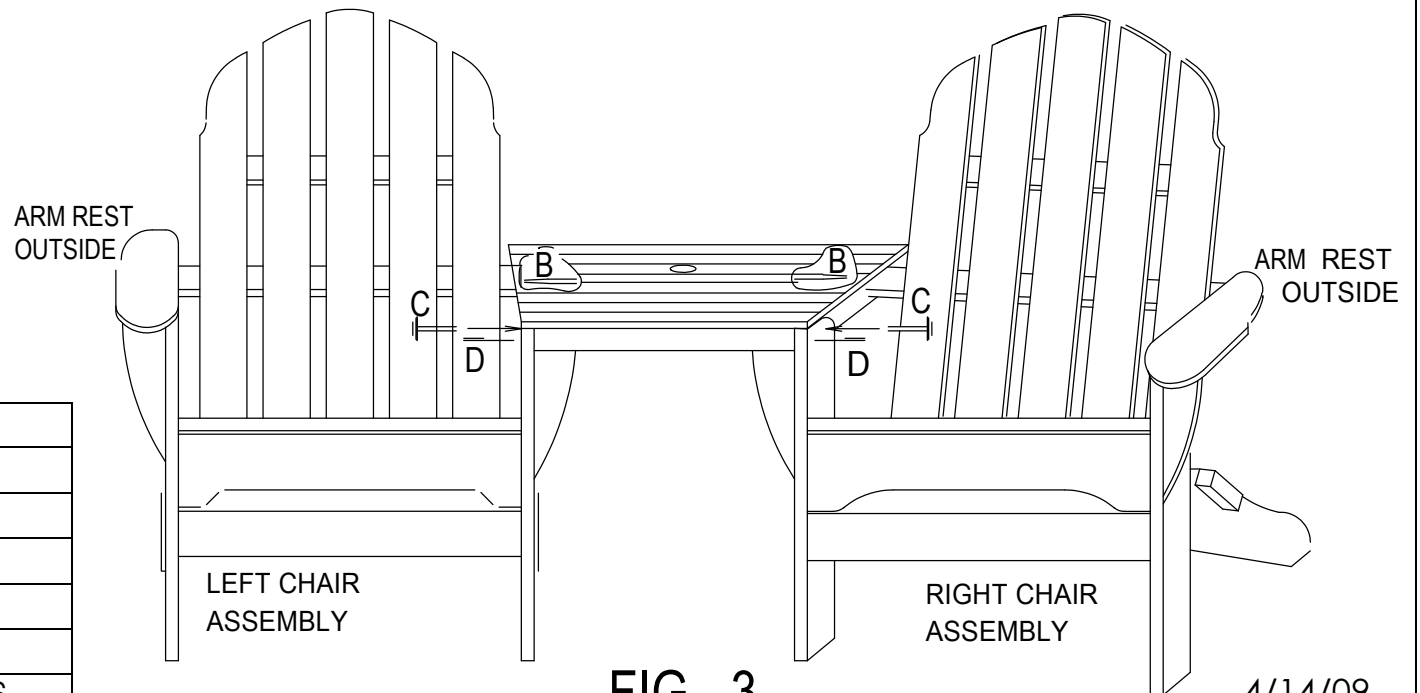


FIG. 3

LETTER	QTY.	DESCRIPTION
A	8	2 1/4" BOLTS
B	2	3" LAG BOLTS
C	2	3/4" BOLTS
C	12	1/4" FLAT WASHER
C	10	1/4-20 LOCK NUT
D	2	#8 X 2 FLAT HEAD SCREWS